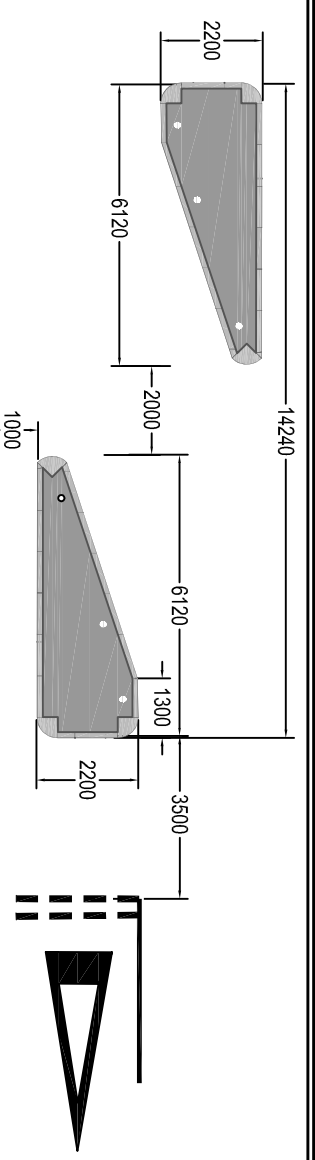


Chicane to be positioned between the existing Bryn Celyn access and U0899 Lake View junction.

Chicane Plan View
Not to Scale



Engineering Design Services

EDS West Manager : Steve Hallows CEing MICE
01545 572513 hpw@ceredigion.gov.uk

EDS East Manager : Gareth Price CEing CEIw MICE
0845 607 6060 its.helpdesk@powys.gov.uk

Powys

North: Keflhamstall Dript, Pool Road, Newtown, Powys, SY16 3AF
Mid: County Hall, Spa Road East, Llandrindod Wells, Powys, LD1 5LG
South: Merddd Brycheiniog, Cambrian Way, Brecon, Powys, LD3 7HR

CWIC is the Central Wales Infrastructure Collaboration project between Powys County Council and Ceredigion County Council and all copyrights are vested in each respective Authority.
This drawing is the property of CHIC Engineering Design Services and is issued on the condition that it is not copied, reproduced, related or disclosed in any form without the written consent of CHIC Engineering Design Services.

West: Penmorfa, Aberaron, Ceredigion, SA46 0PA

Rev	Date	Amendments Description	By	CHKd

Project
B45760 Llangors traffic Calming
South - Llangors

Drawing Title
General Arrangement
Proposed Chicane

By	JW	Checked	DAP	Scale at A3	1:200
Date	25.08.2017	Project Number		The drawing should not be scaled. All dimensions are in millimetres unless otherwise stated.	
Project Number		Drawing Number		Revision	
Q14560		Q14560/PTC/GA1			

© Halcrow Group, a subsidiary of the Halcrow Group, 2017. All rights reserved. Halcrow Group, 100225171 (Powys, St. Peter's)
ACSI 2017
ACSI 2017
ISO 9001
Chaeab 18001
Drawing Filename: - CAD file.dwg
Last saved: - 25/08/2017